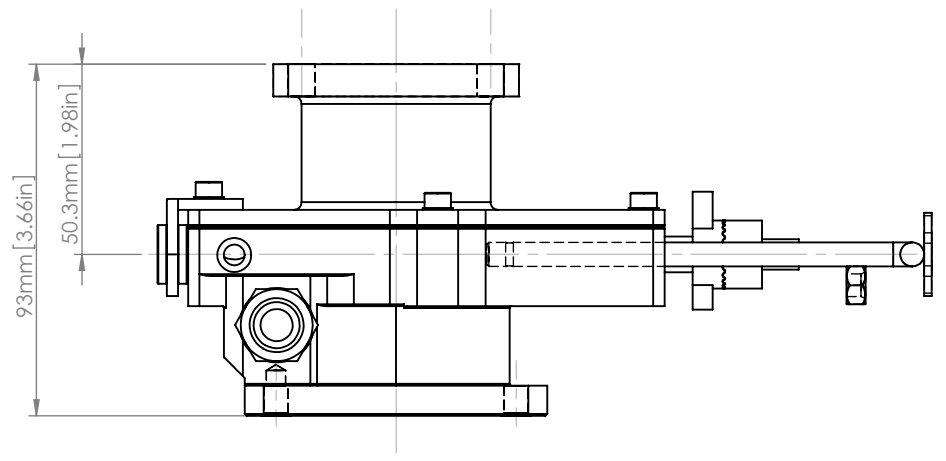
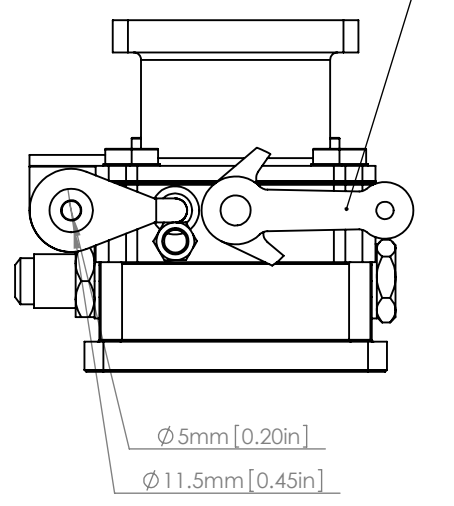


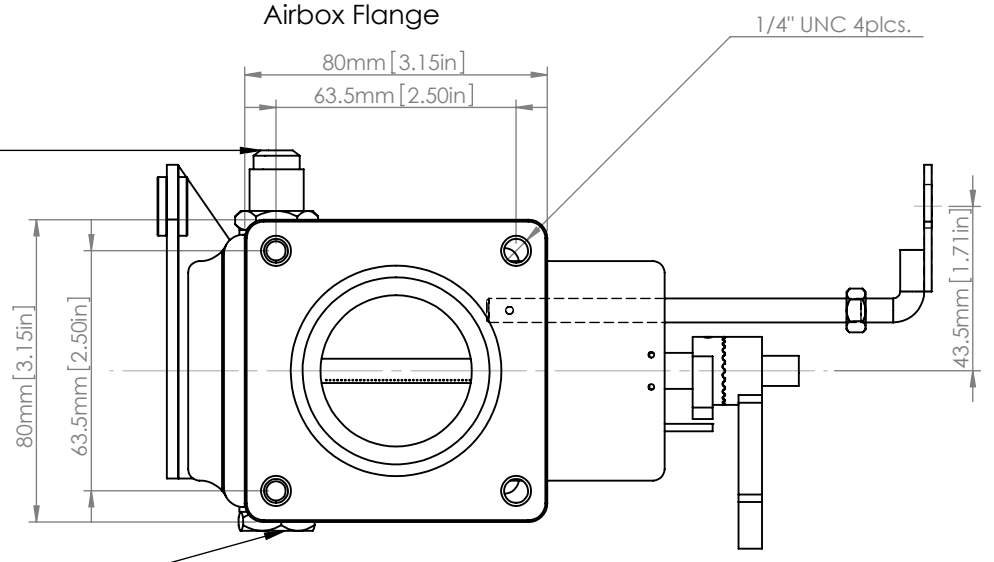
Engine Mount Flange

mixture control arm
90° rotation
adjustable thru 360°

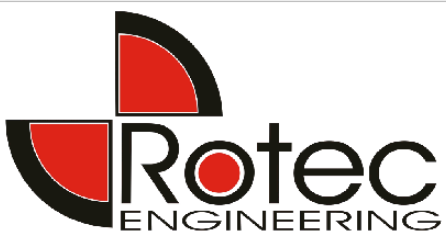


Airbox Flange

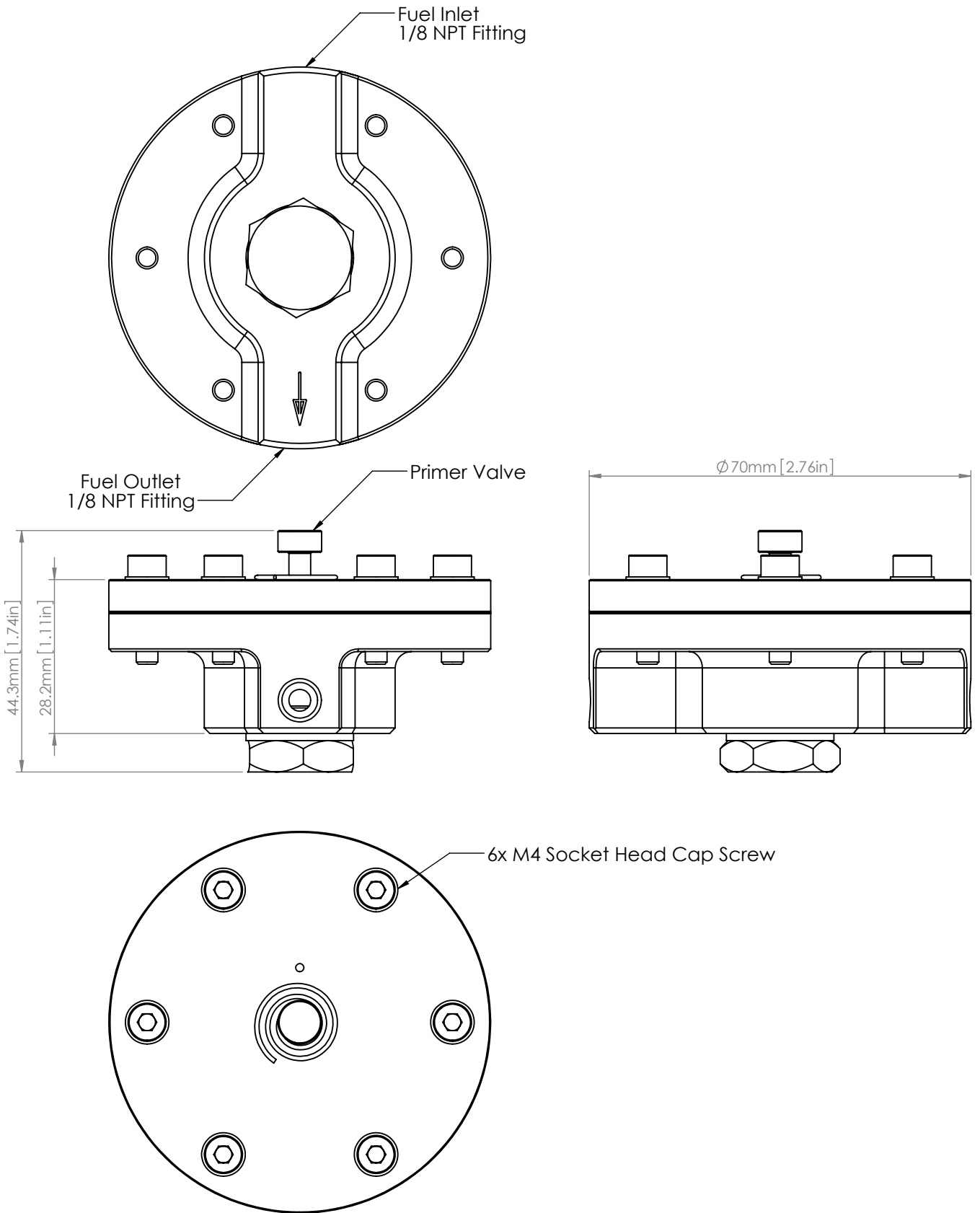
AN-6 9/16 UNF
Fuel Inlet
(located left or right side)



9/16 UNF
Plug
(located left or right side)



TITLE:	Rotec TBI-40-3	
DWG NO.:	TBI Basic Dimensions	A4
SCALE: 1:2	SHEET 2 OF 5	



TITLE:

Fuel Pressure Regulator

DWG NO.:

TBI Basic Dimensions

A4

SCALE: 1:1

SHEET 5 OF 5