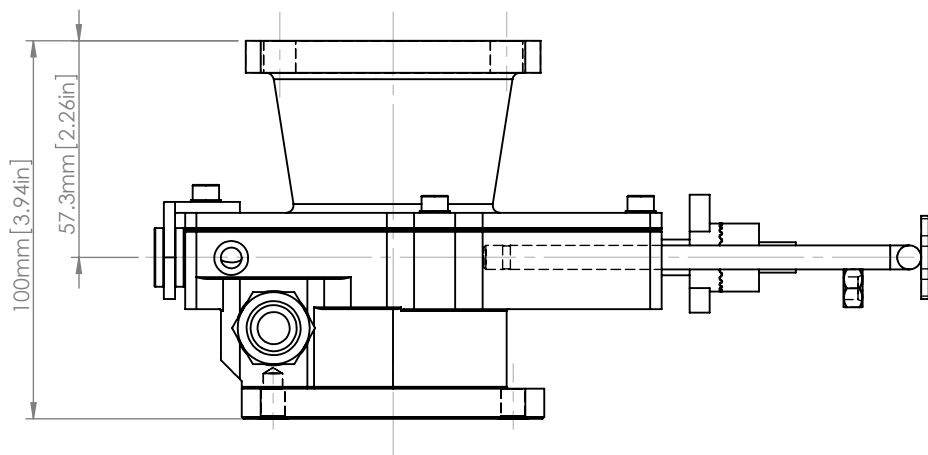
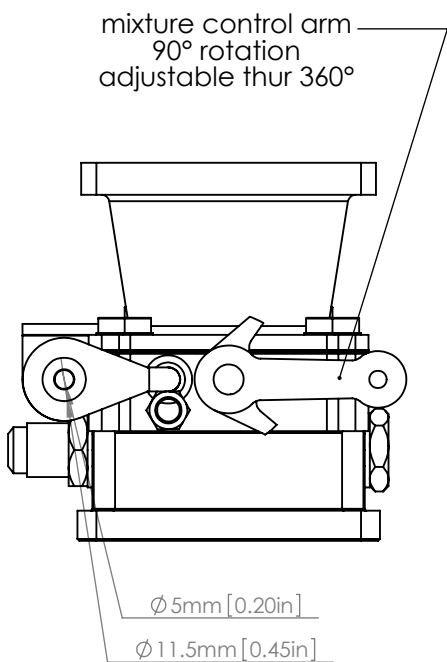
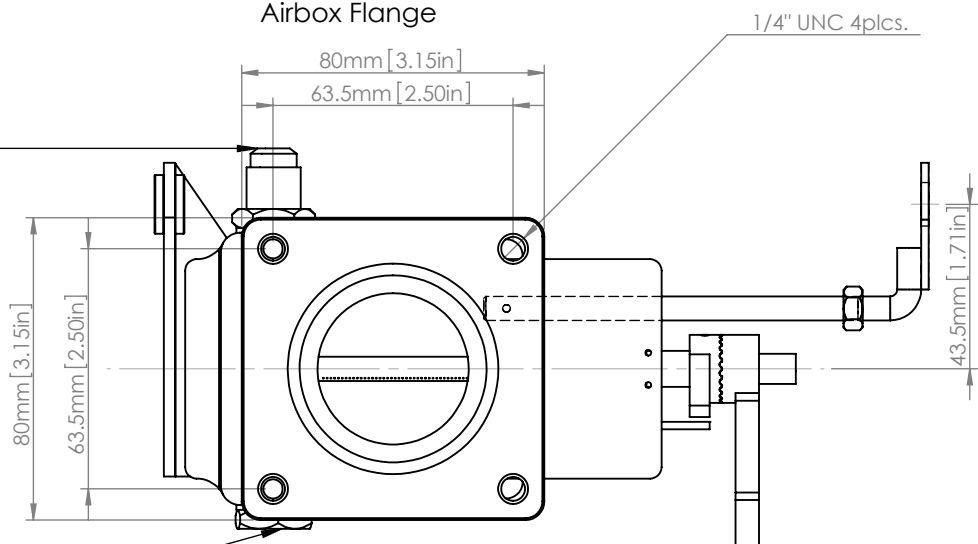


Engine Mount Flange

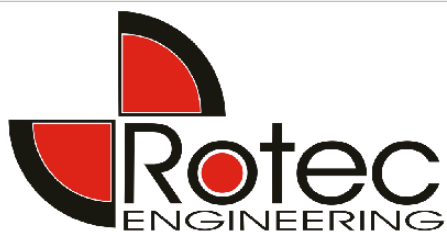


Airbox Flange

AN-6 9/16 UNF
Fuel Inlet
(located left or right side)



9/16 UNF
Plug
(located left or right side)



TITLE:

Rotec TBI-40-4

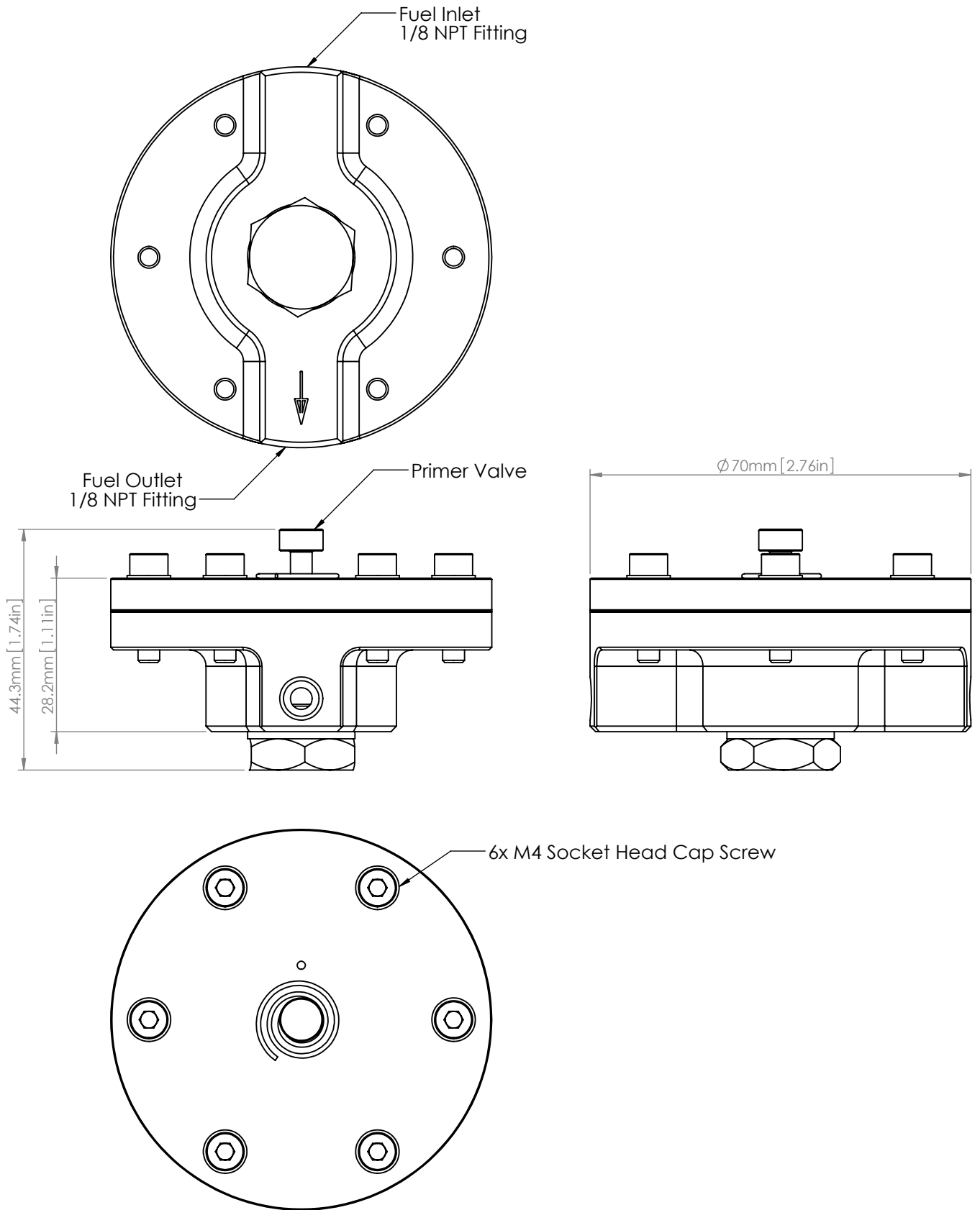
DWG NO.

TBI Basic Dimensions

A4

SCALE: 1:2

SHEET 3 OF 5



TITLE:

Fuel Pressure Regulator

DWG NO.

TBI Basic Dimensions

A4

SCALE: 1:1

SHEET 5 OF 5