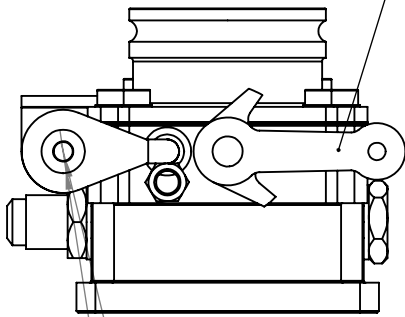


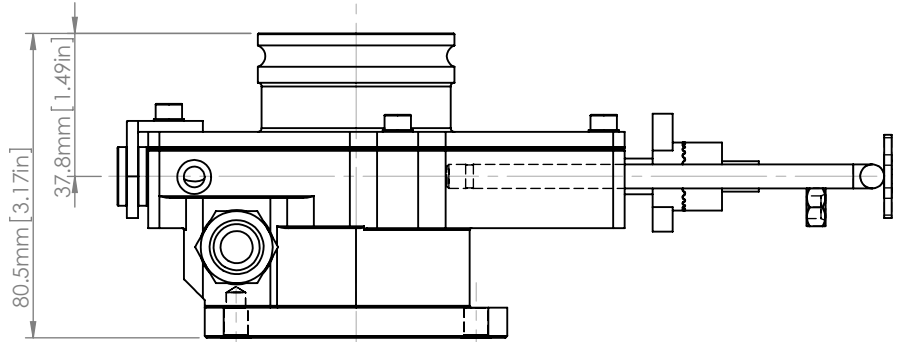
Engine Mount Flange

mixture control arm
90° rotation
adjustable thru 360°



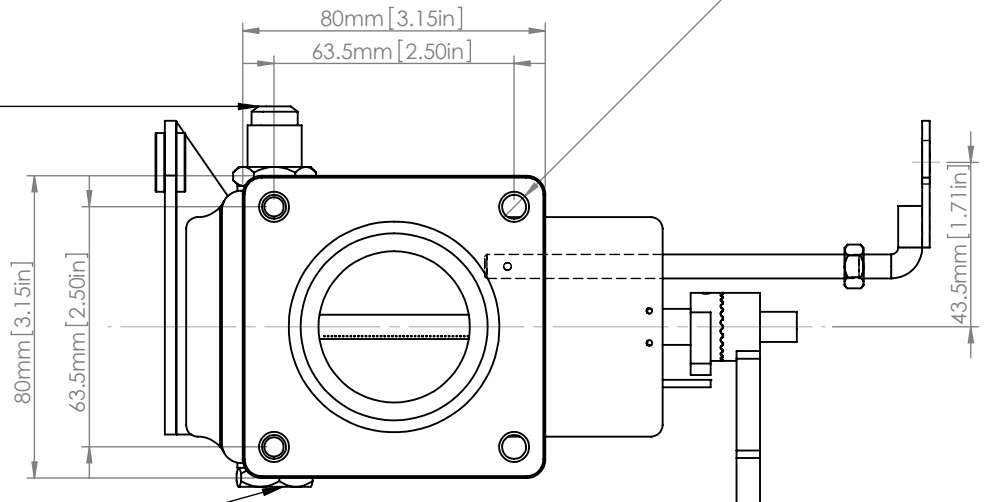
Ø 5mm [0.20in]

Ø 11.5mm [0.45in]



Airbox Flange

AN-6 9/16 UNF
Fuel Inlet
(located left or right side)



9/16 UNF
Plug
(located left or right side)



TITLE:

Rotec TBI-40-S

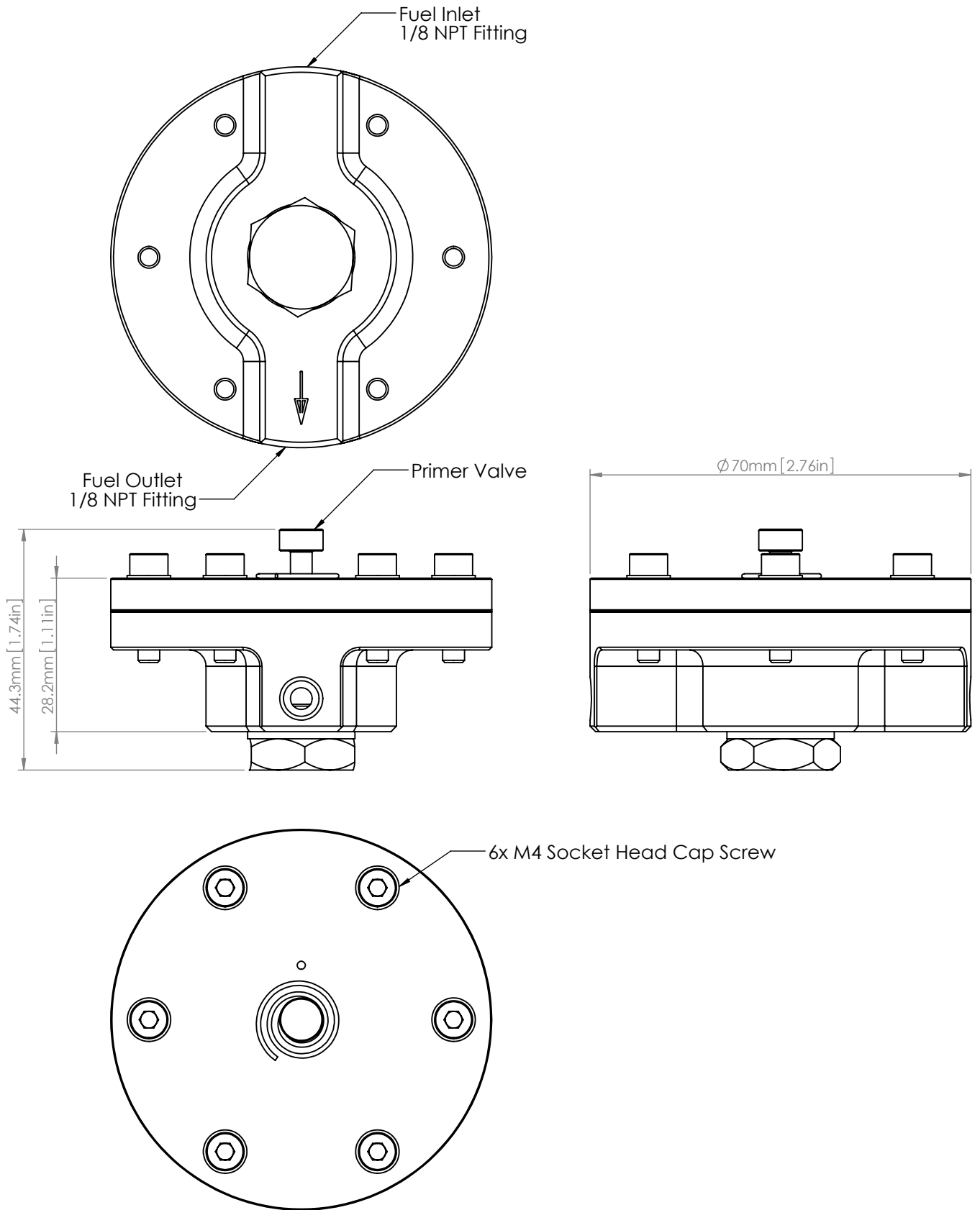
DWG NO.

TBI Basic Dimensions

A4

SCALE: 1:2

SHEET 1 OF 5



TITLE:

Fuel Pressure Regulator

DWG NO.:

TBI Basic Dimensions

A4

SCALE: 1:1

SHEET 5 OF 5