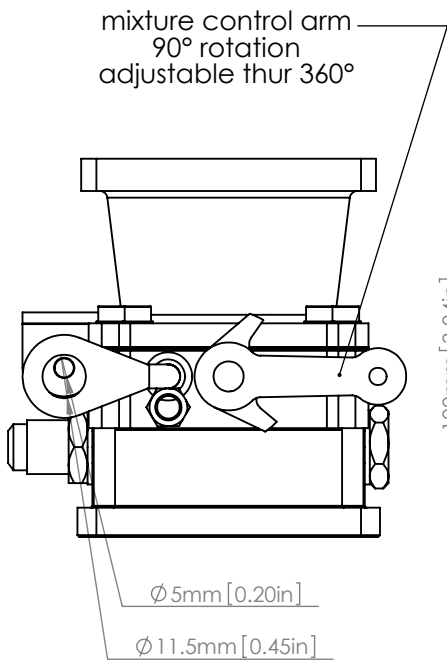
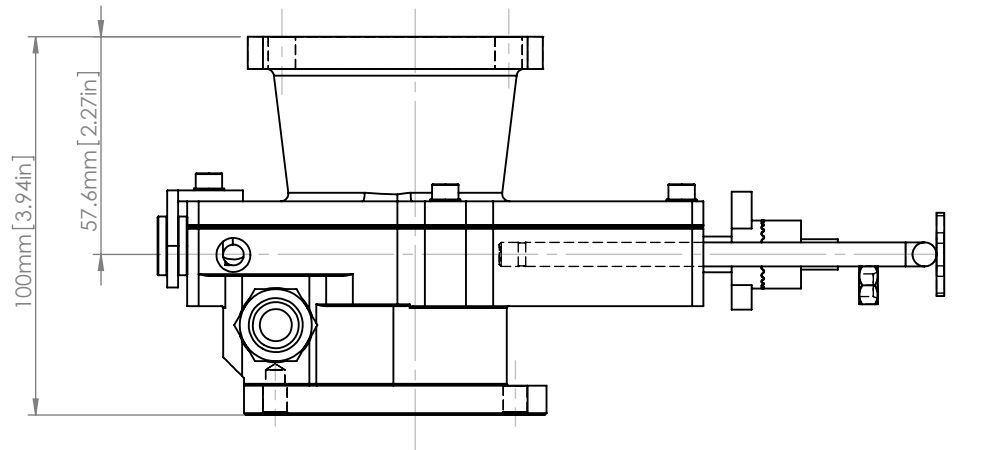


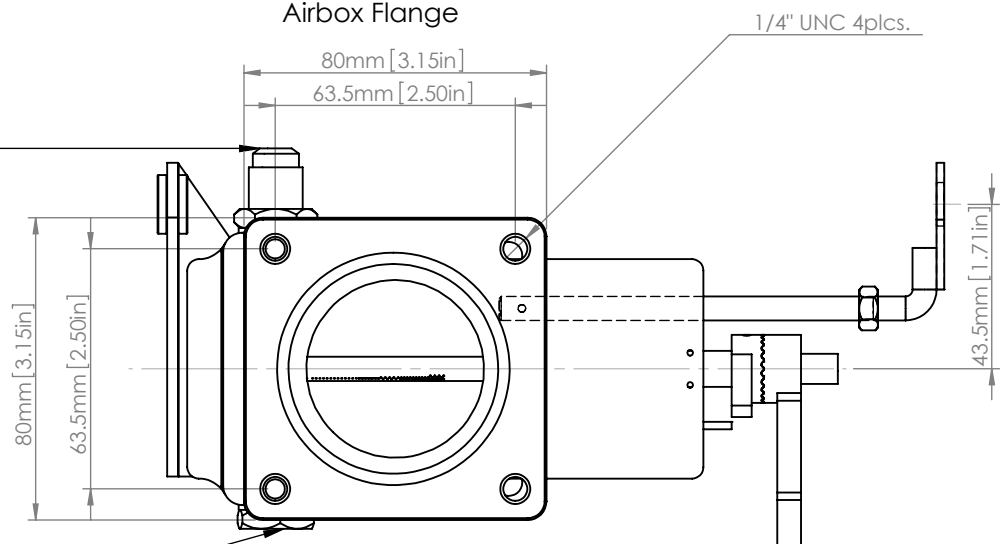
Engine Mount Flange



Airbox Flange



AN-6 9/16 UNF
Fuel Inlet
(located left or right side)



9/16 UNF
Plug
(located left or right side)



TITLE:

Rotec TBI-48-4/5

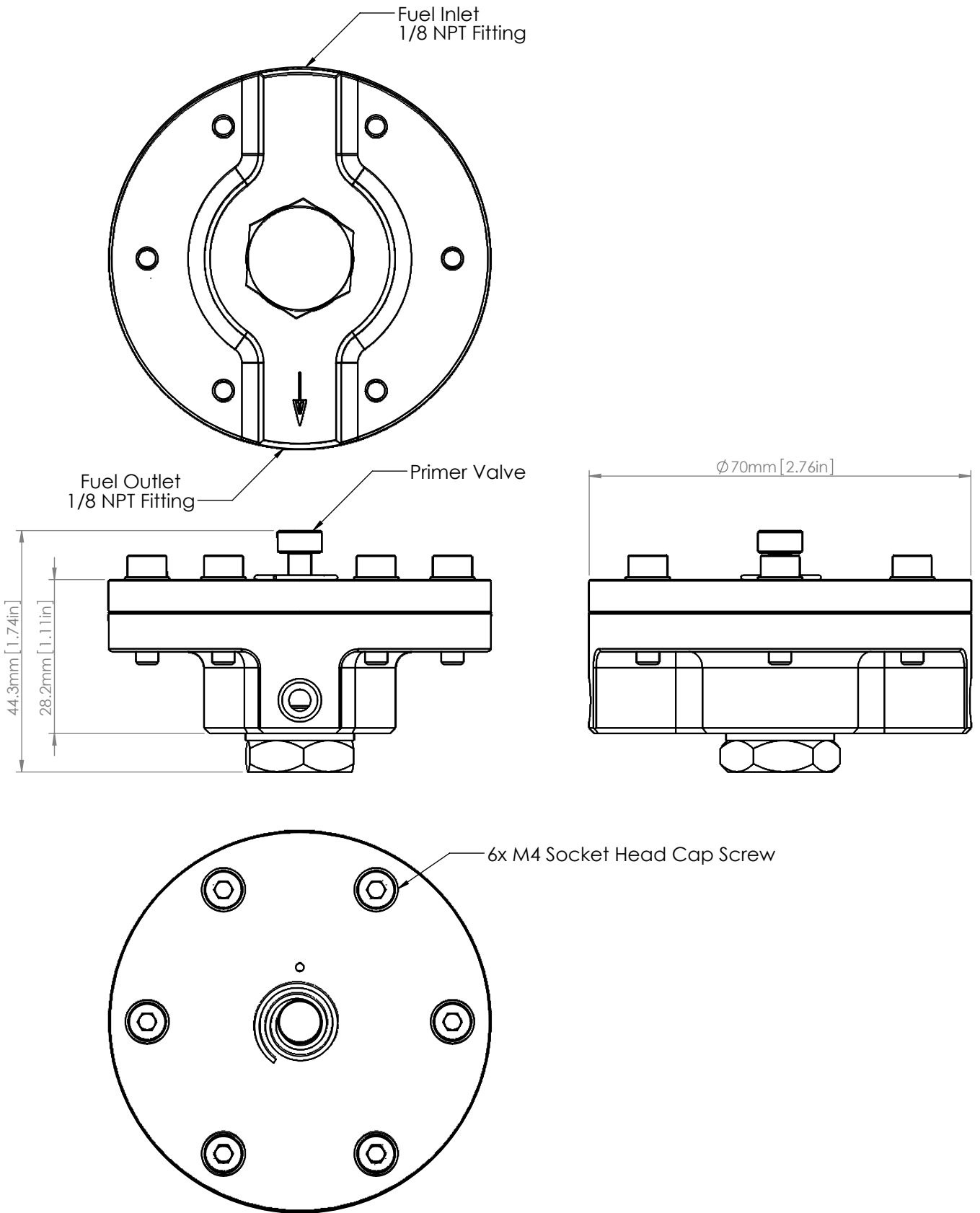
DWG NO.

TBI Basic Dimensions

A4

SCALE: 1:2

SHEET 4 OF 5



TITLE:

Fuel Pressure Regulator

DWG NO.:

TBI Basic Dimensions

A4

SCALE: 1:1

SHEET 5 OF 5